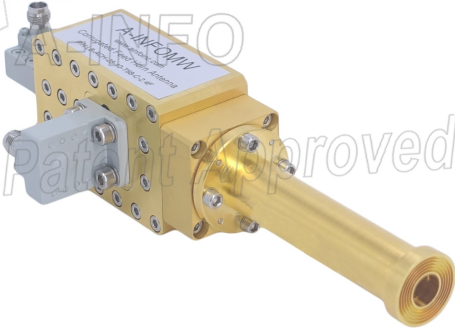
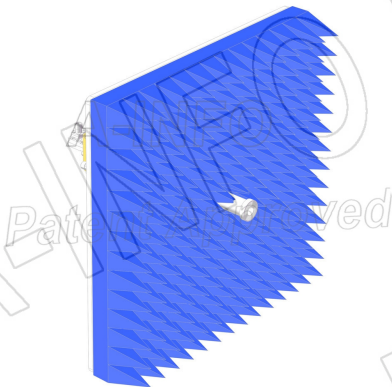


For reference only. See data sheet for the detailed specifications.

Technical Specification

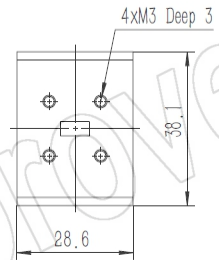
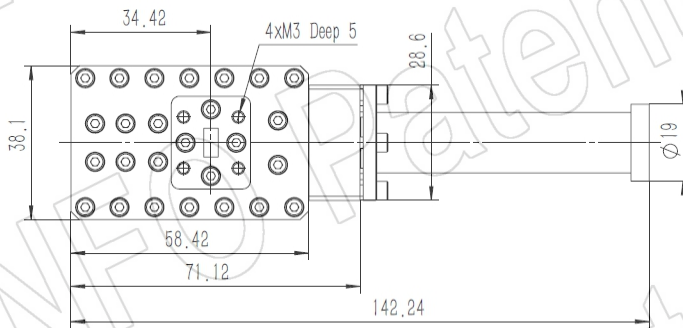
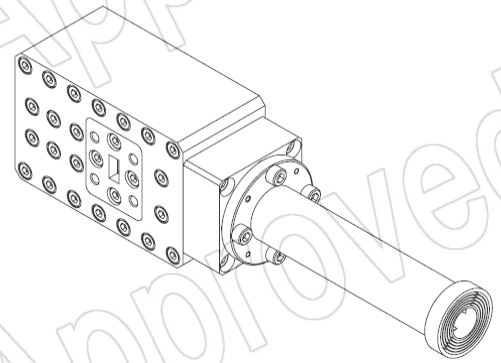
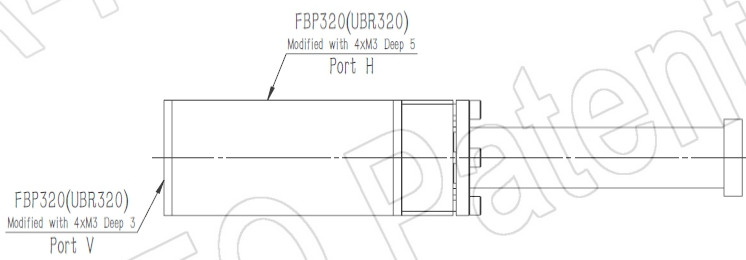
LB-ACH-28-10-T68-C-2.4F


Frequency Range(GHz)	24.0 – 50.0	
Waveguide	WR28	
Gain(dBi)	10 Typ.	
Polarization	Dual Linear	
3dB Beamwidth(deg)	E Plane:	57 Typ.
	H Plane:	58 Typ.
10dB Beamwidth(deg)	E Plane:	100 Typ.
	H Plane:	105 Typ.
Cross Pol. Isolation(dB)	35 Typ.	
Port to Port Isolation(dB)	45 Typ., 30 Min.	
VSWR	A Type:	1.8:1 Typ.
	C Type:	2.2:1 Typ.
Output	A Type:	FBP320(UBR320)
	C Type:	2.4mm-Female
Material	Cu	
Finish	Gold Plated, Gray Paint	
Size(mm)	A Type:	28.6 x 38.1 x 142.24
	C Type:	52.2 x 38.1 x 165.86
	A-A1:	259 x 259 x 180.3
	C-2.4F-A1:	259 x 259 x 204
Net Weight(Kg)	A Type:	0.25 Around
	C Type:	0.37 Around
	A-A1:	2.55 Around
	C-2.4F-A1:	2.67 Around

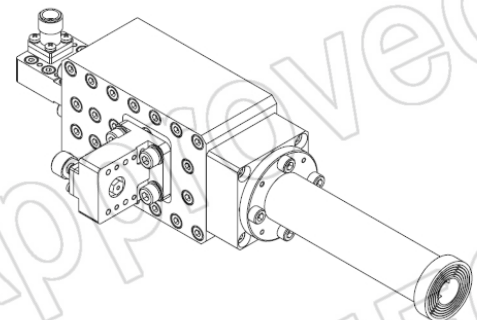
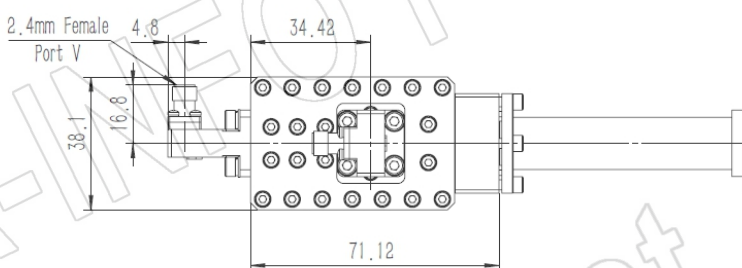
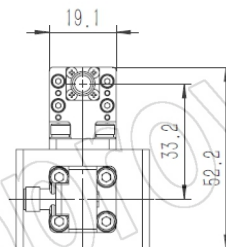
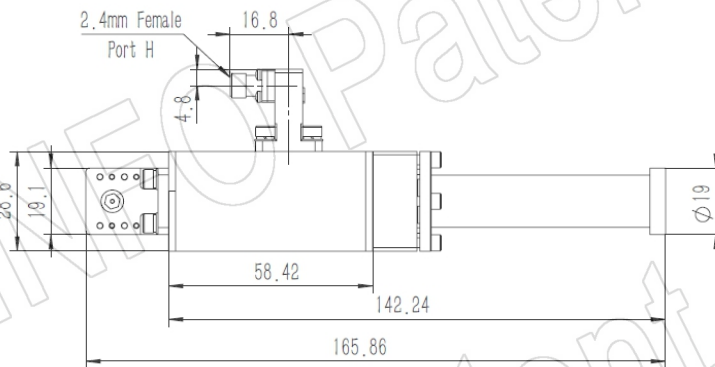
LB-ACH-28-10-T68-C-2.4F-A1

PATENT ID (US)
US 11031692, US 10871511, US D1003875
PATENT ID (China)
**ZL202020594309.9, ZL202020594305.0, ZL202220615760.3
ZL202030231777.5, ZL202030233920.4, ZL202130553080.4**

Outline Drawing (Size: mm)

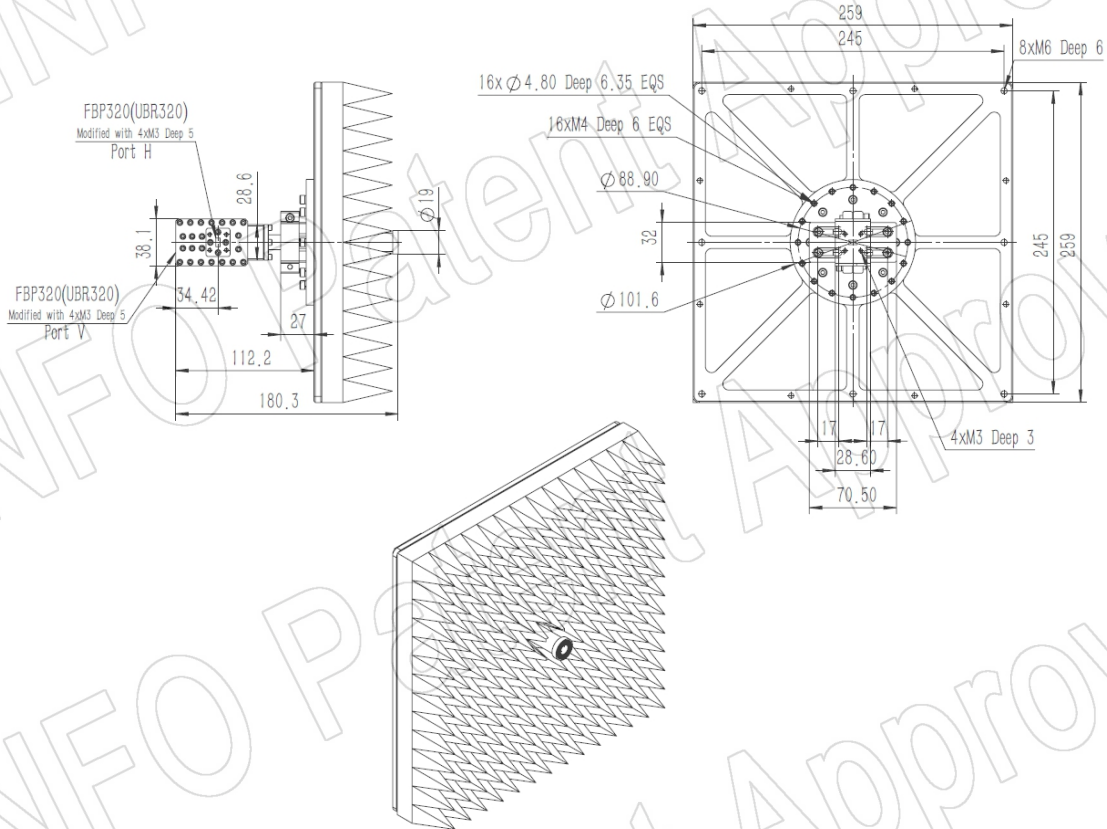
FBP320 Output (P/N: LB-ACH-28-10-T68-A)



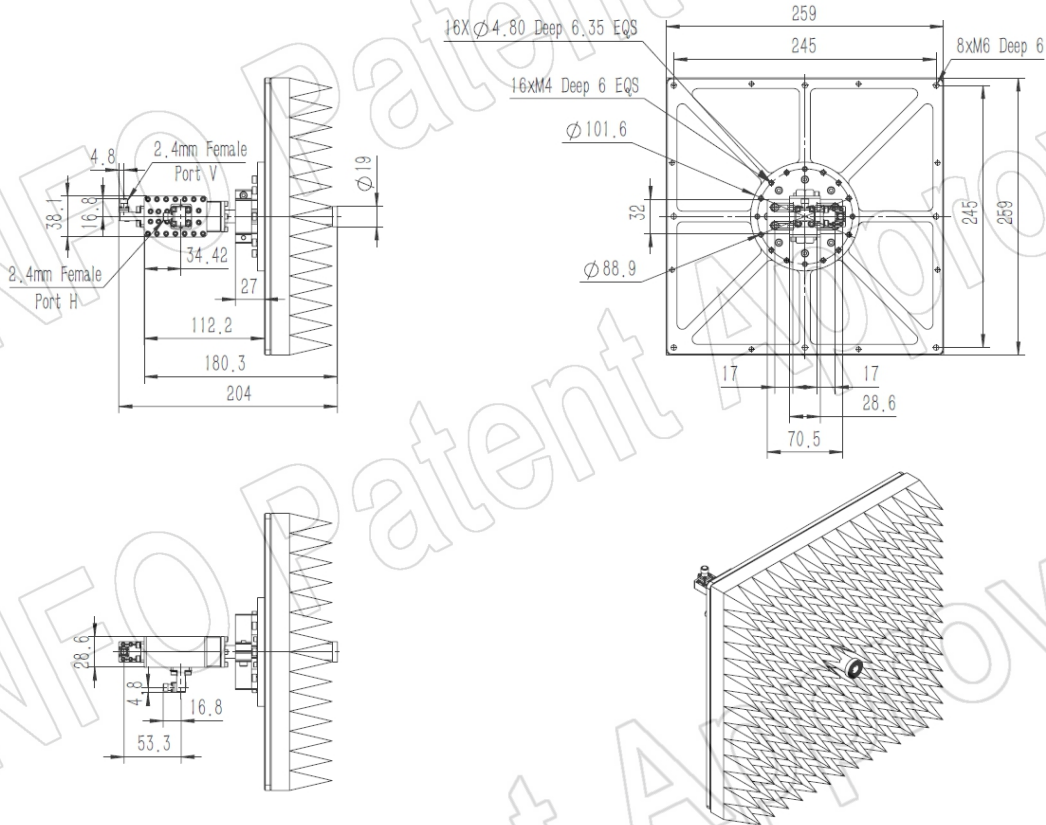
2.4mm-Female Output (P/N: LB-ACH-28-10-T68-C-2.4F)



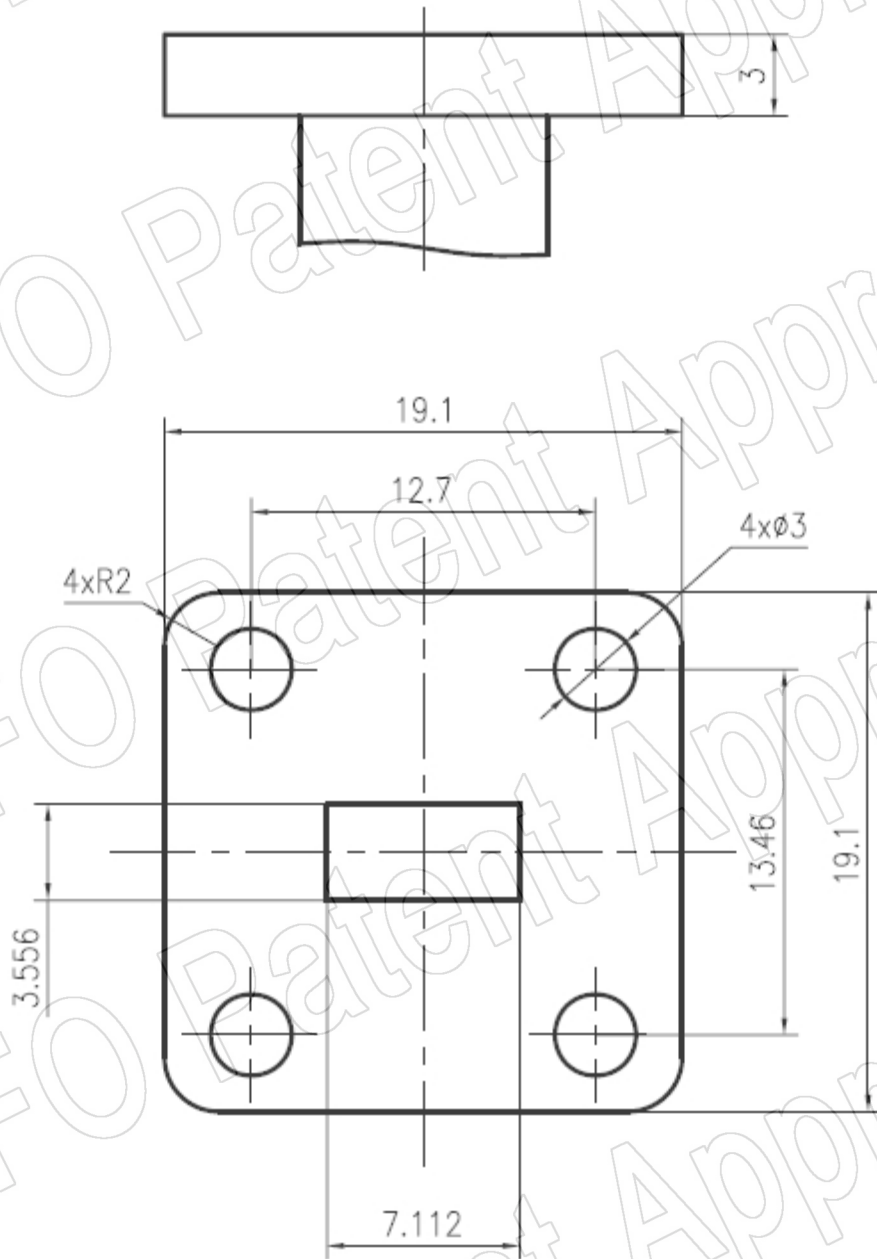
FBP320 Output, Equipped with Absorber (Option, P/N: LB-ACH-28-10-T68-A-A1)



2.92mm-Female Output, Equipped with Absorber (Option, P/N: LB-ACH-28-10-T68-C-2.4F-A1)



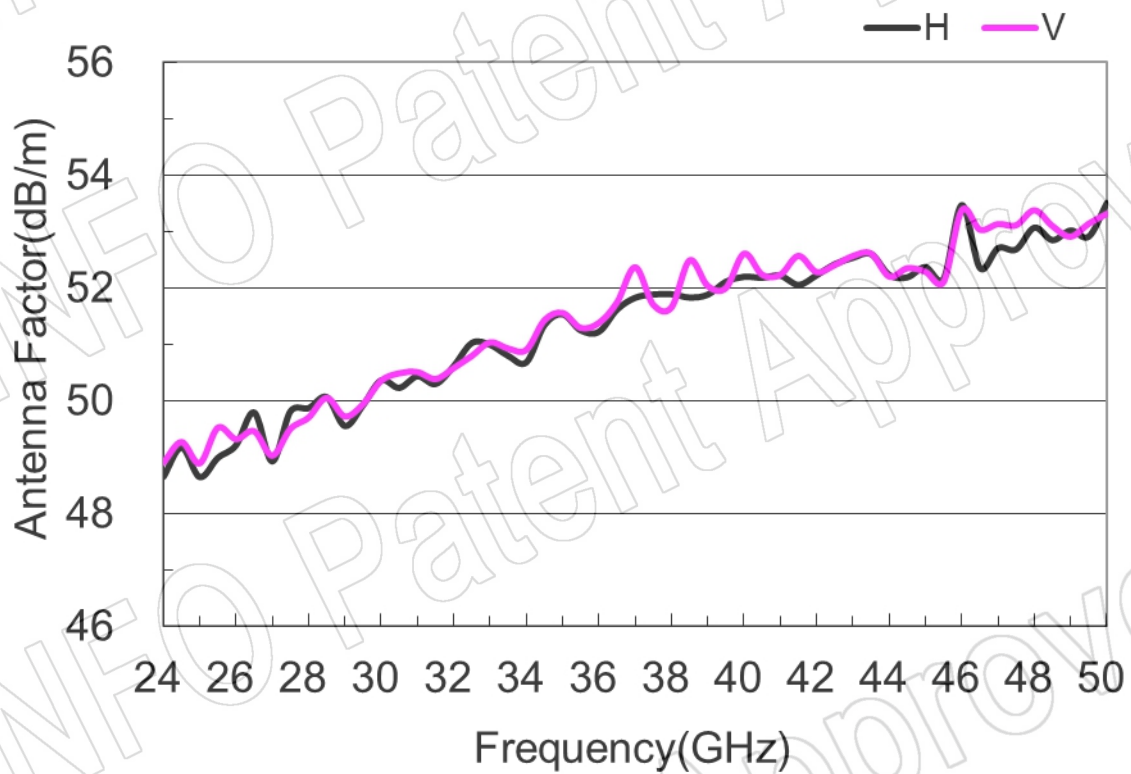
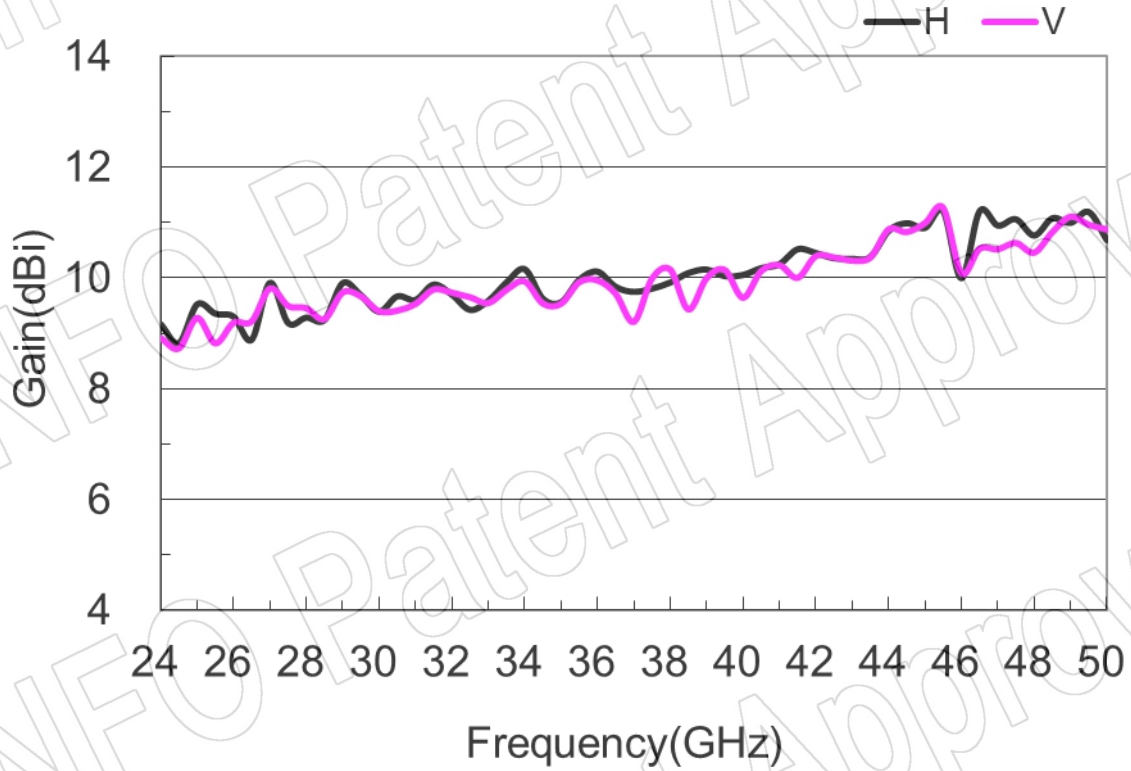
Flange Drawing (Size: mm)



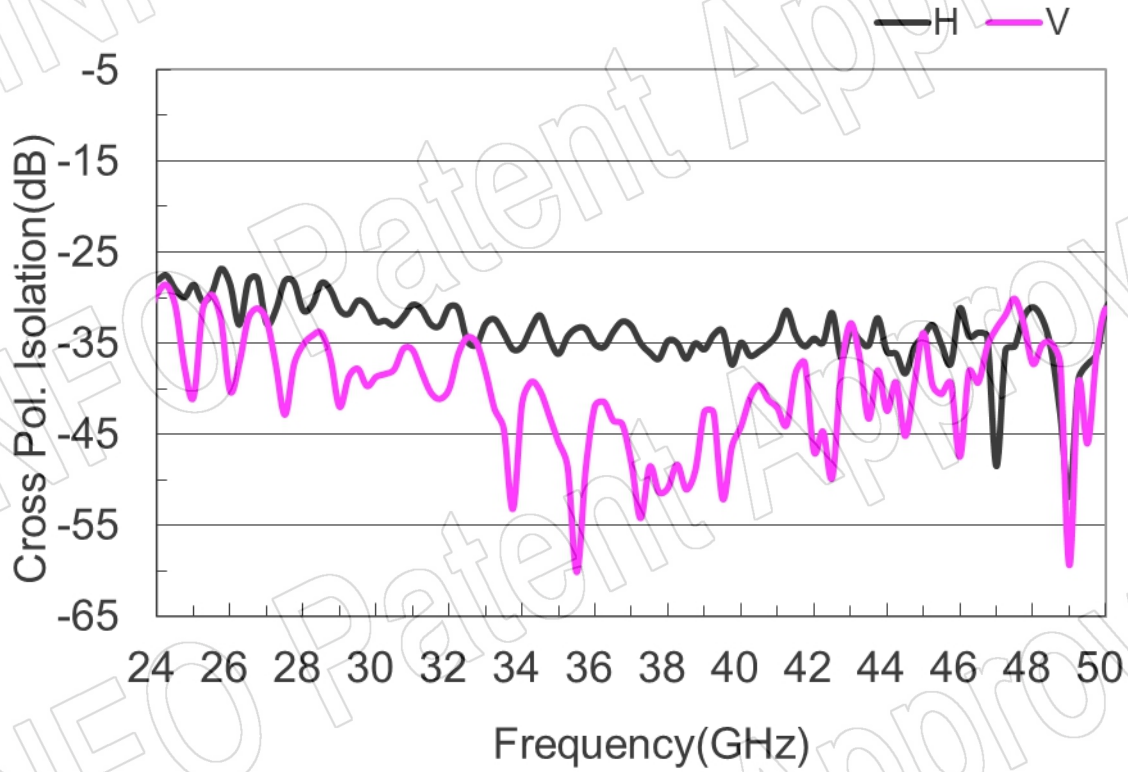
FBP320

Test Results

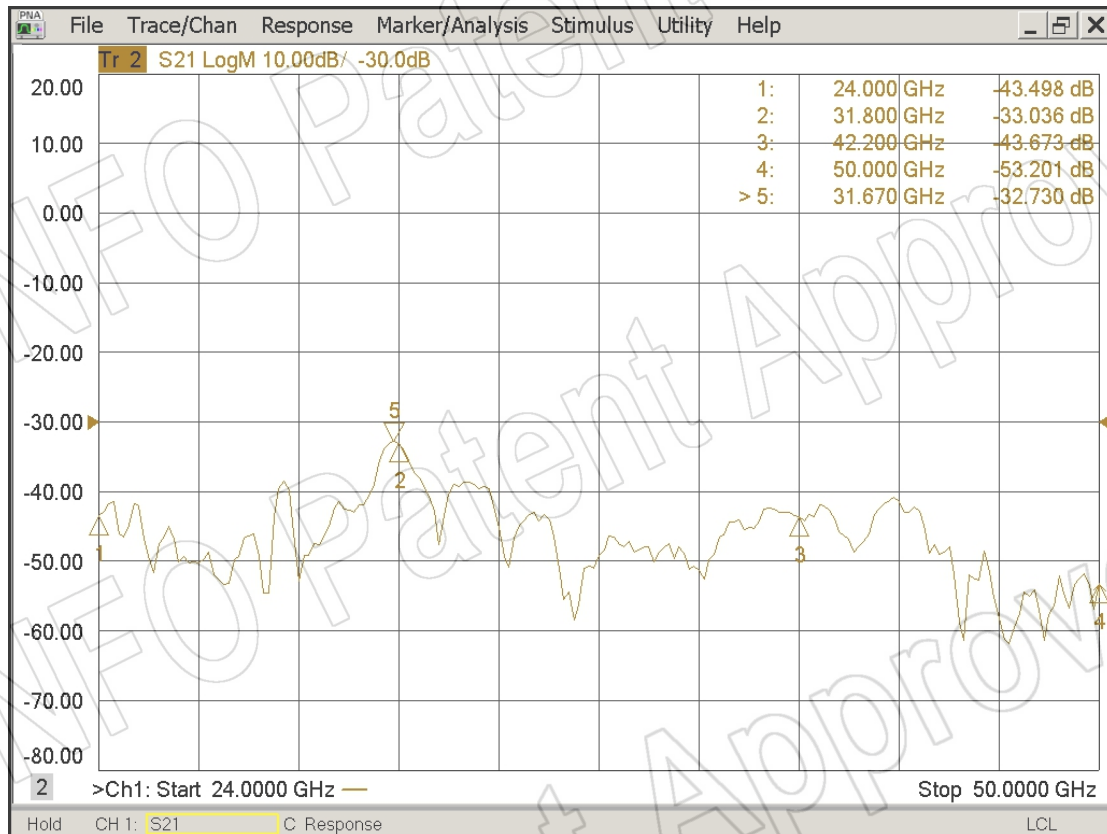
1. Gain & Antenna Factor



2. Cross Polarization Isolation

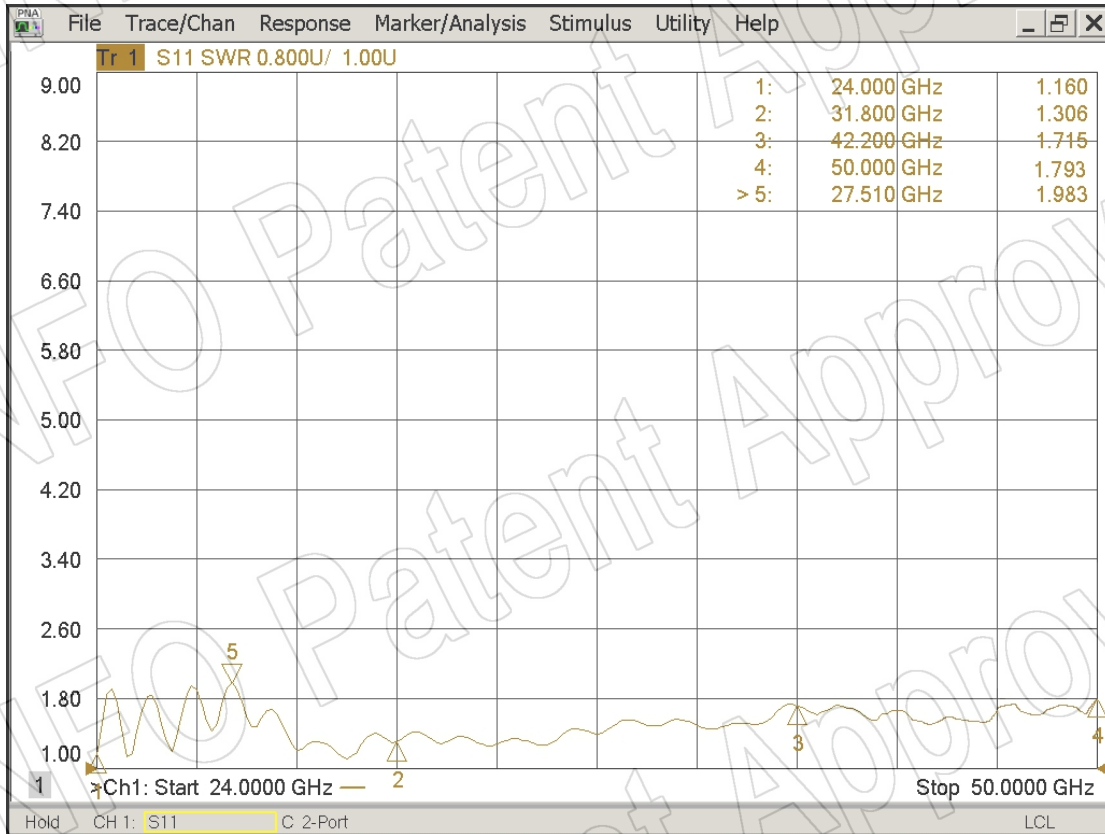


3. Port to Port Isolation

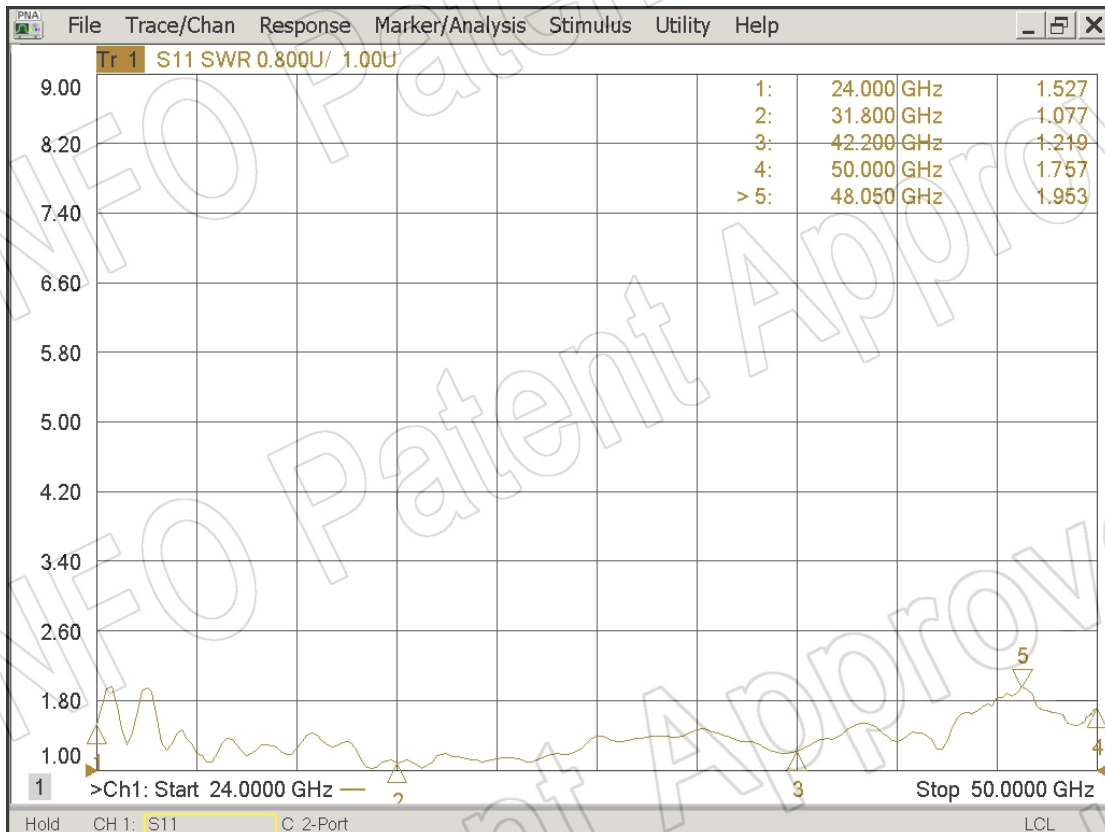


4. VSWR_A Type

Port-H

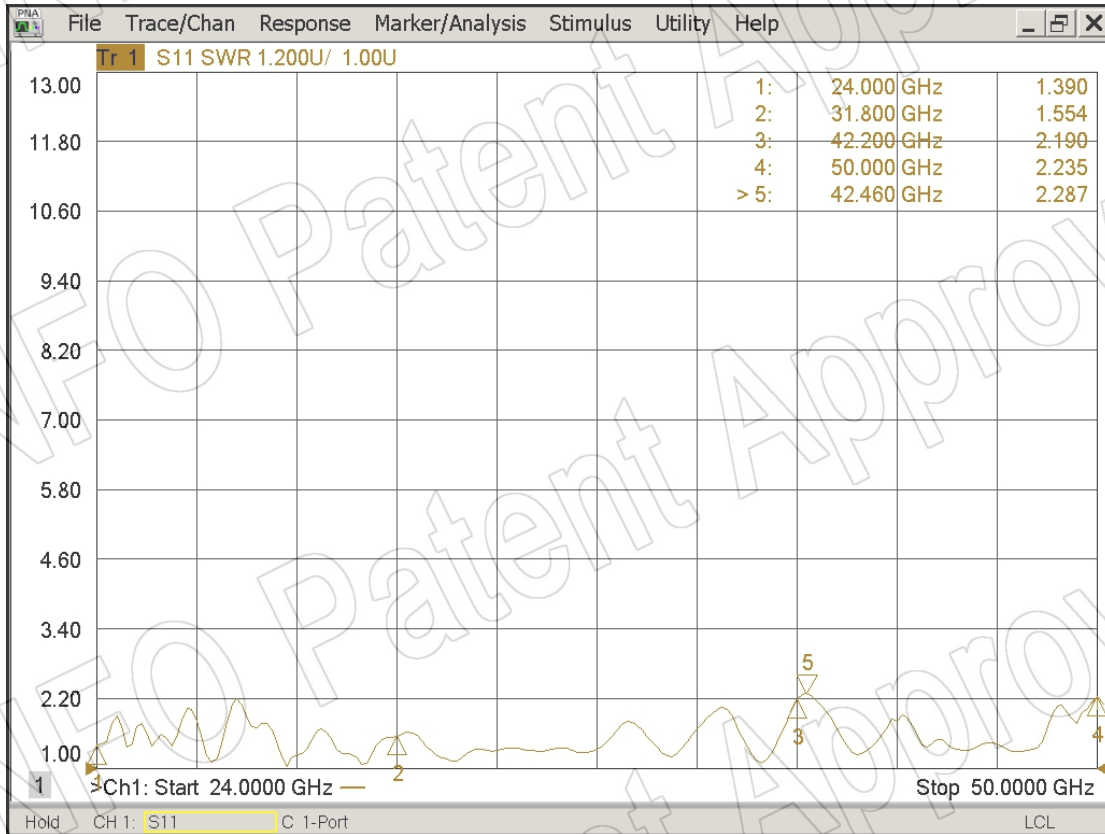


Port-V

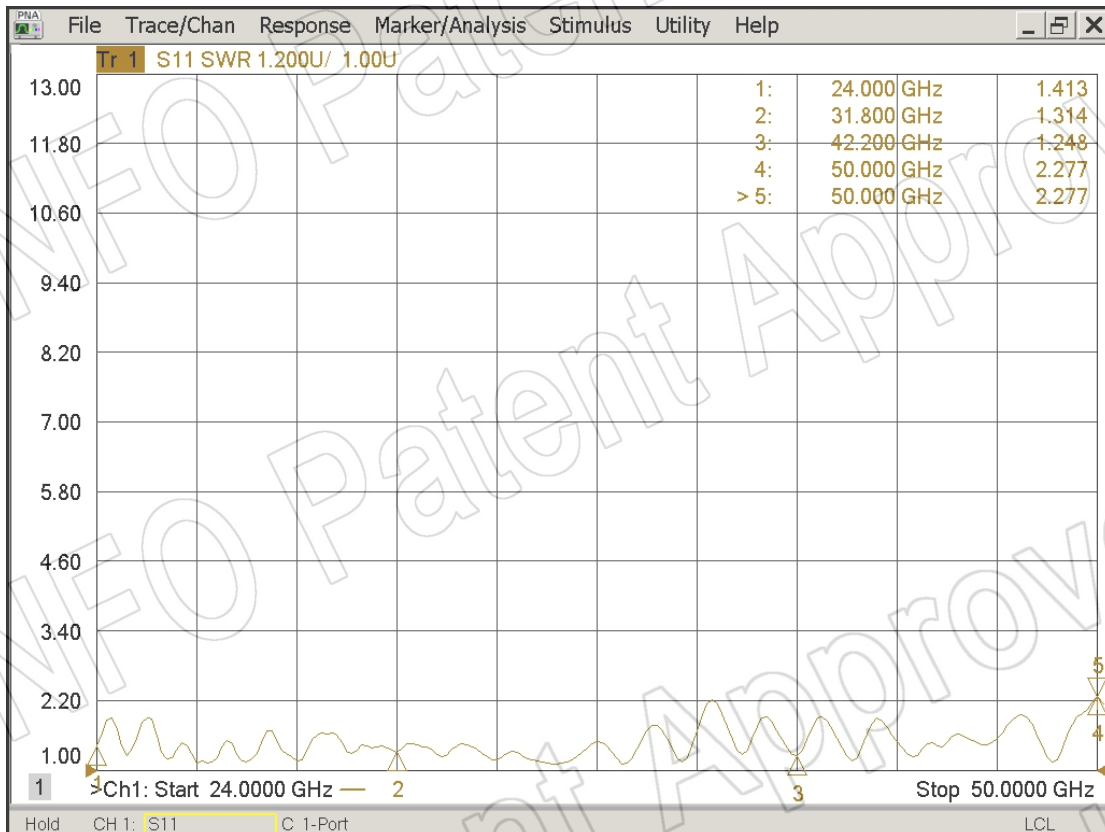


VSWR_C Type

Port-H



Port-V



5. Pattern

